

The information in this document is subject to change without notice and should not be construed as a commitment by ABB. ABB assumes no responsibility for any errors that may appear in this document.

Except as may be expressly stated anywhere in this document, nothing herein shall be construed as any kind of guarantee or warranty by ABB for losses, damages to persons or property, fitness for a specific purpose or the like.

In no event shall ABB be liable for incidental or consequential damages arising from use of this document.

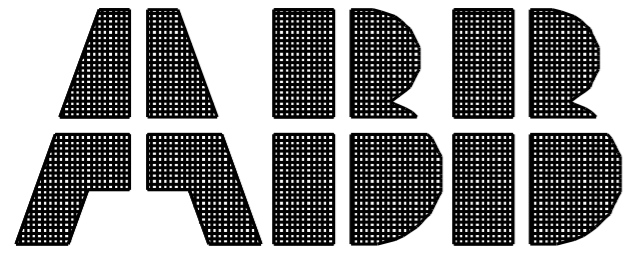
This document and parts thereof must not be reproduced or copied without ABB's written permission, and contents thereof must not be imparted to a third party nor be used for any unauthorized purpose. Contravention will be prosecuted.

Additional copies of this document may be obtained from ABB at its then current charge.

© Copyright 2004 ABB ALL right reserved.

ABB Automation Technologies AB  
Robotics  
SE-721 68 Västerås  
Sweden

Latest revision:			Lab/Office: PAW	SMB, 2 axis ABB COPYRIGHT	Status: APPROVED	Plant: = Location: + Sublocation: +	Rev. Ind	Page 1
Prepared by, date:	Approved by, date:					Document no. 3HEA801153-002	02	Next 2 Total 7



Description : SMB, 2 axis  
 Drawing number : 3HEA801153-002  
 Drawing version : 02  
 Date : 2009-02-03

Customer :  
 Year of construction : 2009  
 :  
 :  
 :  
 :  
 :  
 :

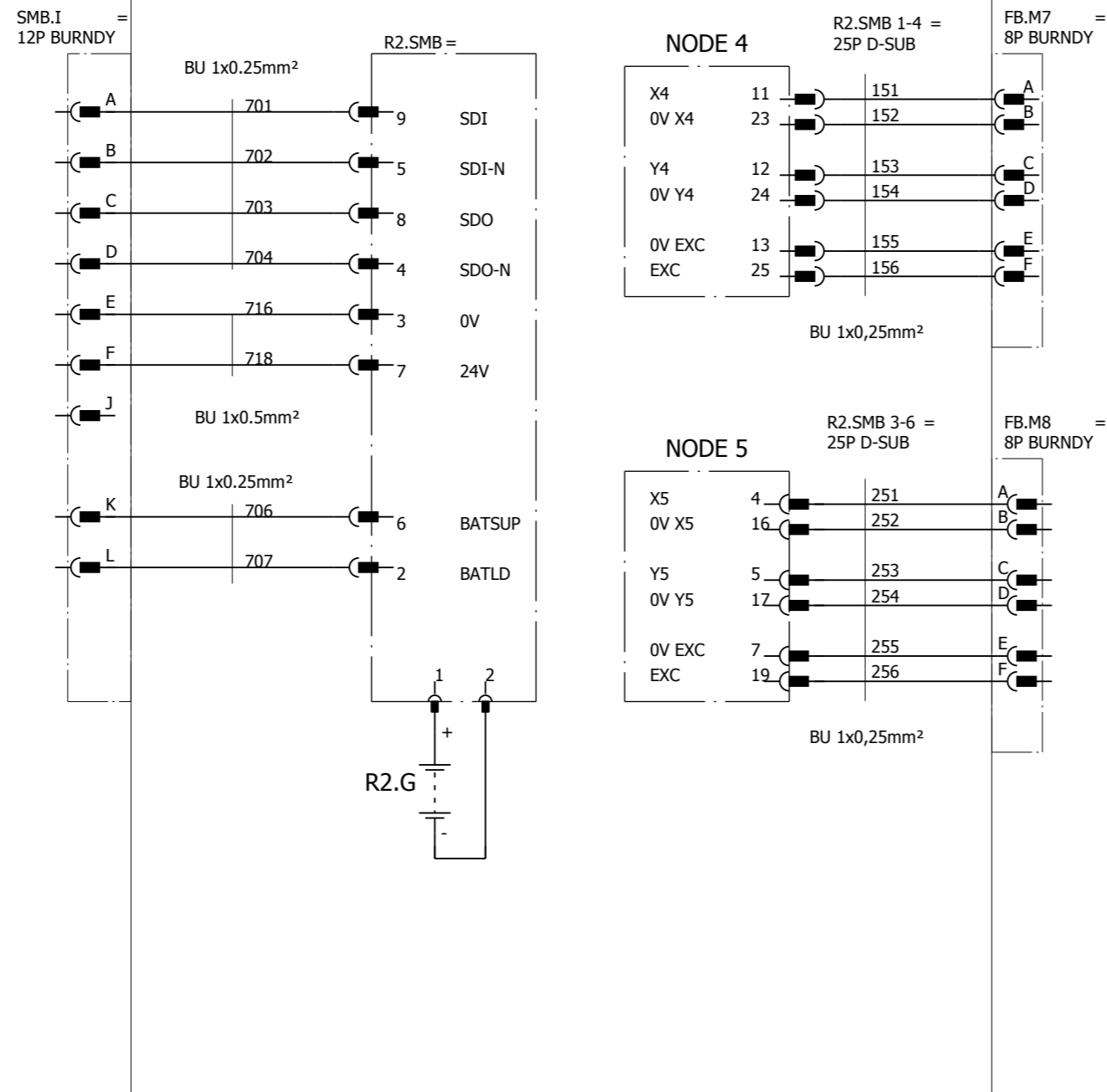
Drawn by : PAW/JS  
 Number of pages : 7  
 :  
 :  
 :  
 :

We reserve all rights in this document and in the information contained therein. Reproduction, use or disclosure to third parties without express authority is strictly forbidden. © Copyright 2003 ABB

Latest revision: 2010			Lab/Office: PAW	SMB, 2 axis TITLE PAGE	Status: APPROVED	Plant: = Location: + Sublocation: +	Rev. Ind	Page 2
Prepared by, date:	Approved by, date:					Document no. 3HEA801153-002	02	Next 3 Total 7



SERIAL MEASUREMENT UNIT



We reserve all rights in this document and in the information contained therein. Reproduction, use or disclosure to third parties without express authority is strictly forbidden. © Copyright 2003 ABB

Latest revision:  
Rev. 02:Wire type changed(3-5)

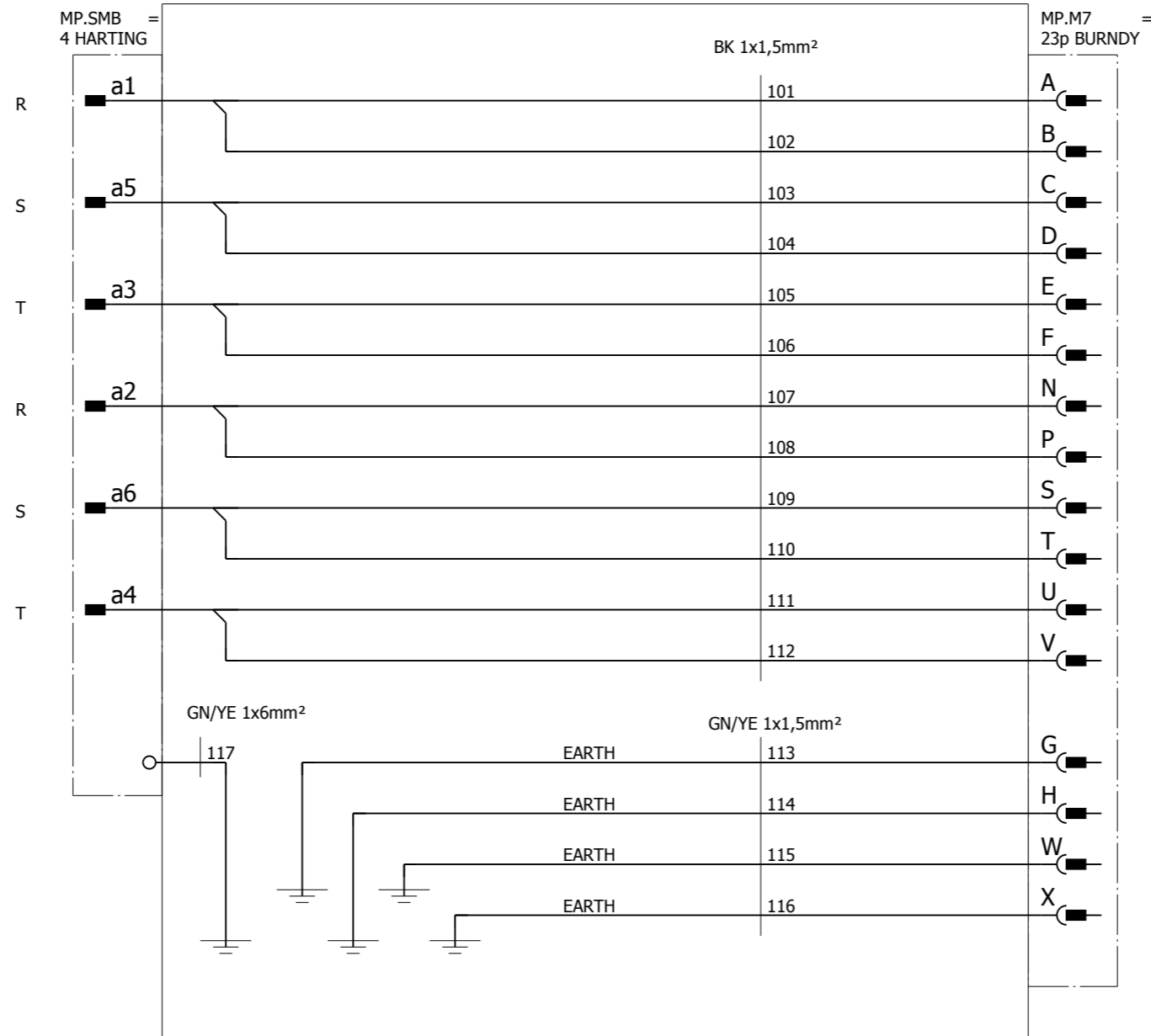
Prepared by, date: \_\_\_\_\_ Approved by, date: \_\_\_\_\_

**ABB** Lab/Office:  
PAW

SMB, 2 axis  
SIGNAL & RESOLVER CABLE, M7 &M8

Status: <b>APPROVED</b>	Plant: = Location: + Sublocation: +
Document no. <b>3HEA801153-002</b>	Rev. Ind <b>02</b>
	Page 4 Next 5 Total 7

SERIAL MEASUREMENT UNIT



We reserve all rights in this document and in the information contained therein. Reproduction, use or disclosure to third parties without express authority is strictly forbidden. © Copyright 2003 ABB

Latest revision:  
Rev. 02:Wire type changed(3-5)

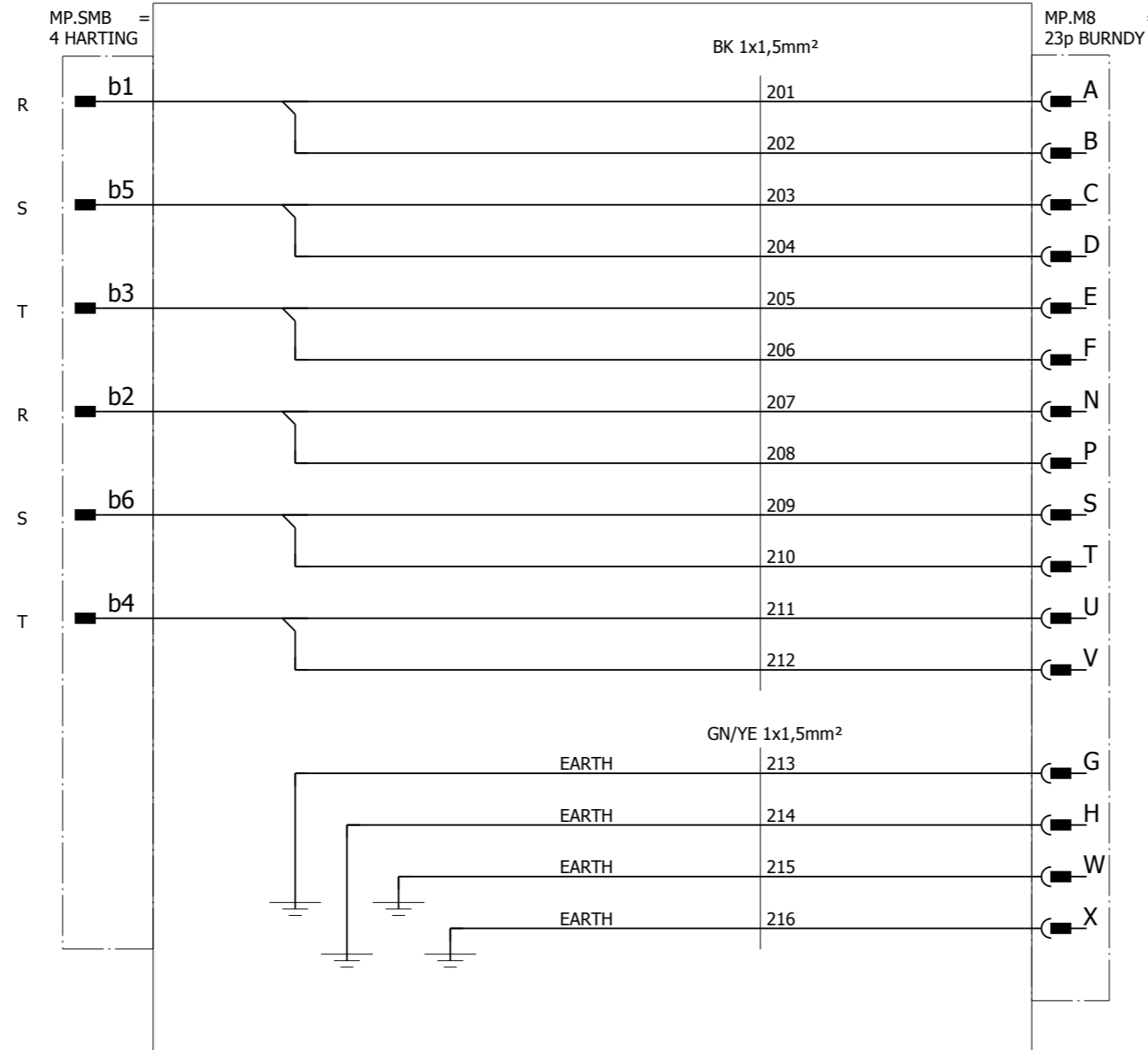
Prepared by, date: \_\_\_\_\_ Approved by, date: \_\_\_\_\_

**ABB** Lab/Office:  
PAW

SMB, 2 axis  
POWER CABLE, M7

Status: <b>APPROVED</b>	Plant: = Location: + Sublocation: +
Document no. <b>3HEA801153-002</b>	Rev. Ind <b>02</b>
	Page 5 Next 6 Total 7

### SERIAL MEASUREMENT UNIT



We reserve all rights in this document and in the information contained therein. Reproduction, use or disclosure to third parties without express authority is strictly forbidden. © Copyright 2003 ABB

Latest revision:  
Rev. 02:Wire type changed(4-5)

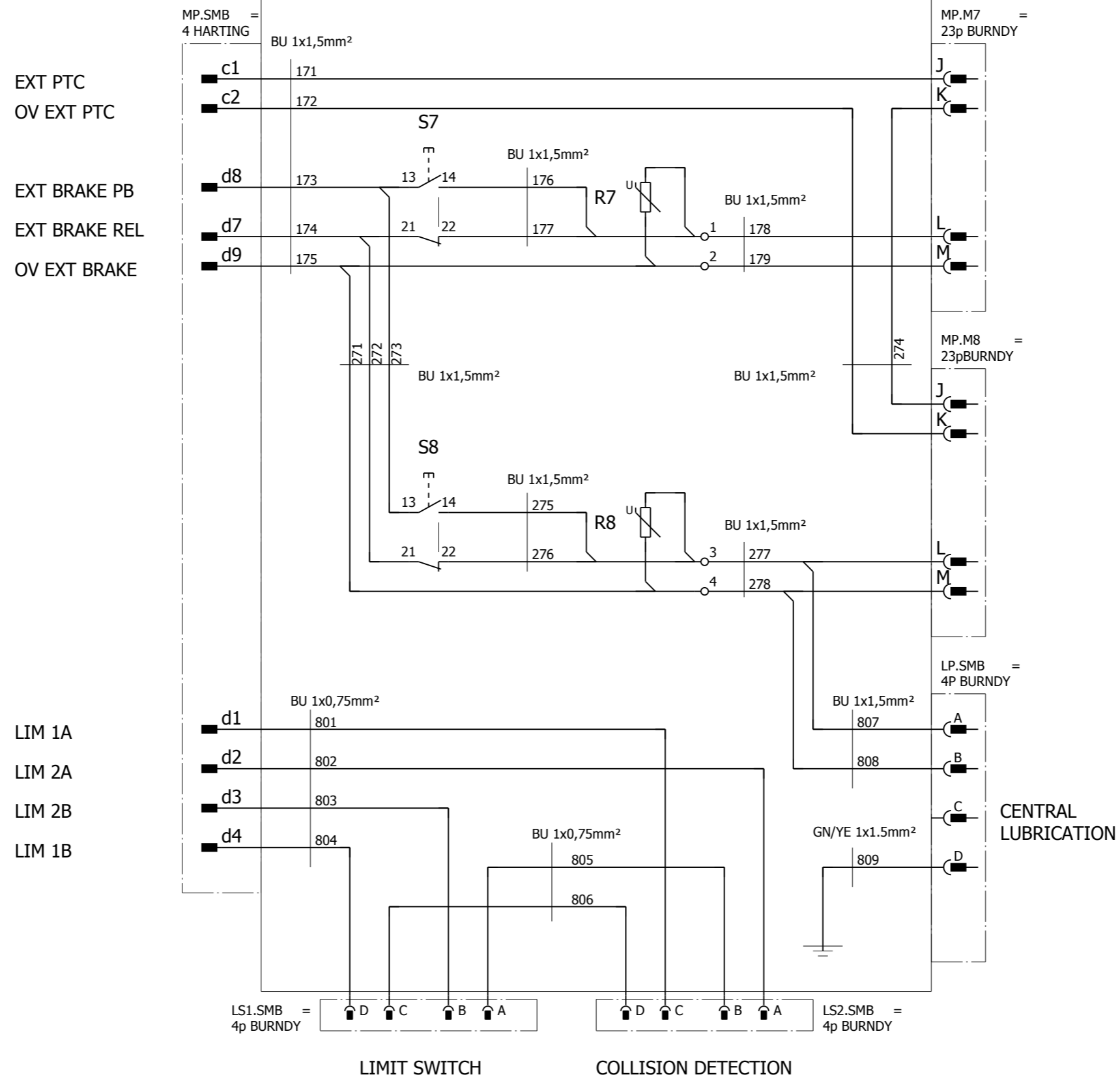
Prepared by, date: \_\_\_\_\_ Approved by, date: \_\_\_\_\_

**ABB** Lab/Office:  
PAW

SMB, 2 axis  
POWER CABLE, M8

Status: <b>APPROVED</b>	Plant: = Location: + Sublocation: +
Document no. <b>3HEA801153-002</b>	Rev. Ind <b>02</b>
	Page 6 Next 7 Total 7

SERIAL MEASUREMENT UNIT



We reserve all rights in this document and in the information contained therein. Reproduction, use or disclosure to third parties without express authority is strictly forbidden. © Copyright 2003 ABB

Latest revision:  
Rev.02:Wire type changed(3-6)

Prepared by, date: \_\_\_\_\_ Approved by, date: \_\_\_\_\_



Lab/Office:  
PAW

SMB, 2 axis  
BRAKE, PTC, LURB, LIMIT SW: M7&M8

Status:  
APPROVED

Plant: =  
Location: +  
Sublocation: +

Document no.  
3HEA801153-002

Rev. Ind	Page 7
02	Next
	Total 7